



## The CGBT one gallon gourmet brewing solution.

Perfect for smaller operations, the ThermoPro™ CGBT One Gallon Coffee Brewing System provides easy-to-use precision brewing for consistently rich and robust gourmet flavor brew after brew.



ThermoPro CGBT TP1TT with TXSG01 Server

ITEM NO

PROJECT

DATE

### FEATURES AT A GLANCE

#### BREWING SYSTEM

- **Brew only what you need** — two pre-set buttons allow you to select your desired brew volume at the touch of a button.
- **Easily Fine Tune Your Signature Flavor** — G3 systems offer complete control over time, volume, temperature and all brewer operating functions.
- **Enjoy Simplified Maintenance** — On-board self-diagnostics continually monitor the system, Intuitive error codes and service phone number are displayed in the uncommon event that service is required.
- **Quick Recovery provided by standard 220V/single phase power** — Easily field convertible for higher wattage faster recovery.
- **Convenient hot water faucet for instant beverages and clean-up.**

#### SERVERS

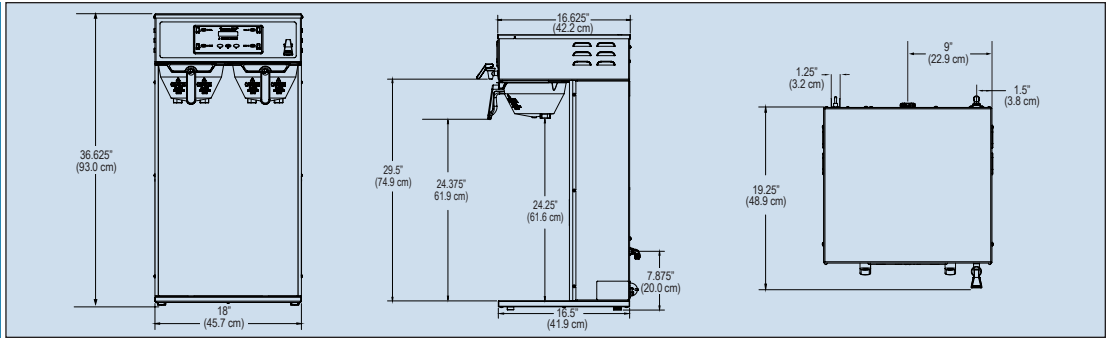
- Accommodates 1 gallon or 1.5 gallon Curtis ThermoPro™ Servers.
- Gourmet flavor, freshness and temperature are locked in with stainless-steel vacuum-sealed servers.
- Quickly identify decaf brews — Orange decaf label for server is included.



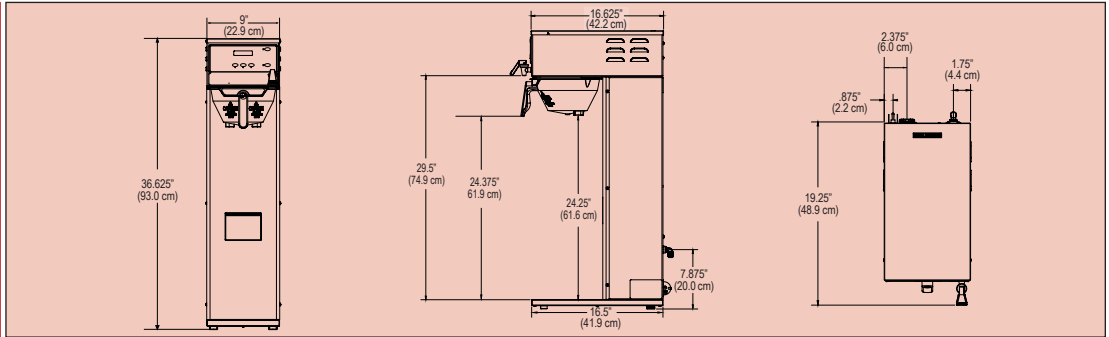
ThermoPro CGBT TP1ST with TXSG15 Server



# TP1TT

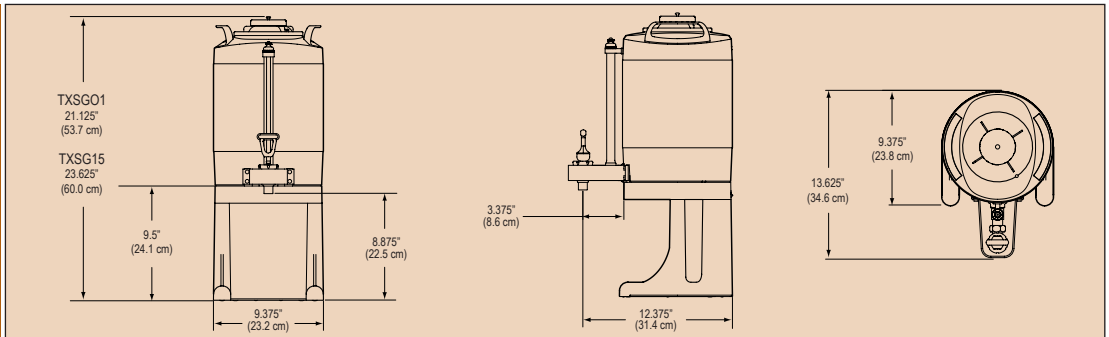


# TP1ST



# TXSG01 ThermoPro Server

# TXSG15 ThermoPro Server



Specifications	Batch Brewing Selections	Finished Brewing Capacity	Dimensions (H x W x D)	Voltage	Power Requirements	Water Source	Shipping Weight (lbs.)	Cube (cu ft.)
TP1TT Twin	2	1 to 1.5 Gal (per side)	36.625" x 18" x 16.625"	220V/Single Phase 3 Wire Plus Ground	5100W/7600W*	3/8" Flare	61	8.6
TP1ST Single	2	1 to 1.5 Gal	36.625" x 9" x 16.625"	120V/220VAC 2W/3W + G	1650W/13.7A 2700W/15A	3/8" Flare	43	5.53
TXSG01 with Stand	N/A	1 Gal.	21.125" x 9.375" x 13.625"	N/A	N/A	N/A	17	2.04
TXSG15 with Stand	N/A	1.5 Gal.	23.625" x 9.375" x 13.625"	N/A	N/A	N/A	16	3.7

\* Field convertible to higher wattage.

## Field Changeable Enhanced Recovery Circuitry

ThermoPro twin\* units ship standard with a robust 5000 watts of recovery power. Should you have a higher rated circuit at the installation, a single connection change\*\*\* boosts the ThermoPro to a powerful 7500 watts providing enhanced recovery and brewing speed.

NOTE: \*220VAC/Single Phase Models Only

\*\*\* Should be connected only by a qualified installation technician.



**WILBUR CURTIS COMPANY, INC.**  
 6913 Acco Street, Montebello, CA 90640-5403  
 Telephone: 800-421-6150 · 323-837-2300  
 Fax: 323-837-2406  
 www.wilburcurtis.com

