

Single door upright

ice storage bins



Industry exclusive SmartGATE ice shield



Features

Designed for safer and more sanitary ice access

- industry exclusive SmartGATE® ice shield controls the flow of ice to reduce spills and limit contact with ice
- locks in three positions and returns easily to full down position even when bin is full
- better access to loosen congealed ice
- no bending into bin means more sanitary ice removal with scoop or shovel

Fresher ice

- first ice in is first ice out

Ice compatibility

- compatible with all ice types, including customer preferred Chewblet® ice

Durable, user friendly construction

- full stainless bin exterior
- corrosion-resistant poly bin liner and top
- heavy duty "stay-open" PowerHinge™ door hinge – easy one hand open and close without door catches
- molded-in gasket never needs to be replaced

Easy installation

- comes assembled, simply screw in legs
- only 31.00" (78.7 cm) deep to fit through standard door openings by removing front door assembly (4 screws, no sealant)

Includes:

- custom-cut non-corroding ABS top for most popular ice machines
- Flexi-Top™ ice bin top system for 48.00 in (121.9 cm) and 60.00 in (152.4 cm) wide models
- optional Flexi-Tops make stocking bins simple – allows many ice machines to fit one top
- 82 oz plastic ice scoop

Accessories

- SmartCART™ 75 ice cart (item# 00112771)
- Ice paddle and hanging bracket (item# ABICEPADDL46)
- Ice rake (item# AB36RAKE)
- Plastic ice shovel (item# ABICESHOVEL)
- Center bin partition
- Additional carts and accessories (refer to form# 3435)

Job

Item

Specification

Maximum bin capacity ¹	see model table below
W1 Width	see model table below
D1 Depth ²	see model table below
D2 Depth with lower door assembly (easily removed for installation access) ²	add 8.00" (20.32 cm)
D3 Depth with door fully extended	add 18.50" (47.0 cm)
H1 Height (adjustable)	see model table below
H2 Bin sill height	19.00" (48.3 cm)
Required door access	see model table below
L1 Drain ⁷	1.00" FPT, center of bin bottom
Temperature range	60 - 90 F (16 - 32 C)
Ice compatibility	all ice types up to 1.00" (2.54 cm) square, including flake ice type
Shipping weight	see model table below

NOTE: For indoor use only

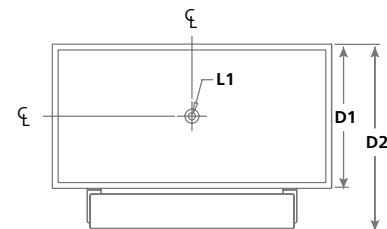
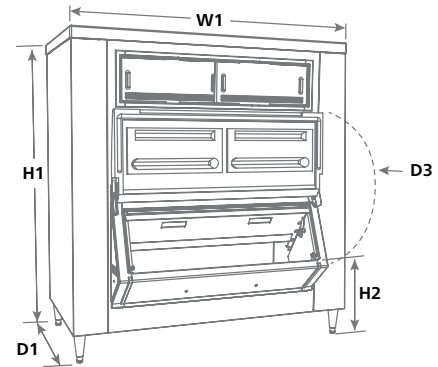
Short form specification:

Ice storage bin to be Follett model _____ with industry-exclusive SmartGATE ice shield. Cubic capacity to be _____, to hold approximately _____ lb (kg) of ice. Construction to be welded steel shell and frame. Exterior finish to be stainless steel front, sides, back and bottom. Bin liner to have non-corroding polyethylene walls and stainless steel bottom. Bin insulation to be non-CFC polyurethane foam, bonded to shell and liner for added structural strength. Bin top to be ABS plastic custom-cut for specific ice machine(s) to be used. Lower door assembly to include non-corroding polyethylene ice door assembly, polyethylene lift door with PowerHinge door hinge to eliminate gasket and latches, and inner SmartGATE ice shield to positively control ice flow into ice door assembly area and reduce spillage. Entire lower door assembly to be easily removable for installation through narrow doors. Upper inspection windows to be of molded double-wall plastic to increase durability and minimize meltage and condensation. Bin to have 6.00" (15.24 cm) legs, adjustable to 7.25" (18.42 cm). Bin drain to be 1.00" FPT rigid PVC. Bin to be NSF-listed.

Warranty:

Follett Corporation warrants to the original purchaser that the cabinet exterior, including the top and trim, and the interior liner will be free of corrosion for the useful life of the product. Parts and labor for corrosion repair are covered under this warranty. All other integral components are covered against defects in material and workmanship under normal use and service for a period of 5 years from the date of installation. Date of installation shall not exceed 90 days from date of shipment. Parts and labor for repair within this 5 year period are covered under this warranty. Removal of ice machine to service bin and any labor costs incurred are expressly excluded from this warranty.

Dimensional drawing



Flexi-Top, SmartCART and PowerHinge are trademarks of Follett Corporation
Chewblet, Follett and SmartGATE are registered trademarks of Follett Corporation, registered in the US.
Follett reserves the right to change specifications at any time without obligation. Certifications may vary depending on country of origin.

Model	Maximum bin capacity lb (kg) ¹	Cubic Volume cu ft (m)	Width - W1 in (cm)	Depth ^{2,3} - D1 in (cm)	Height ^{3,4} - H1 in (cm)	Required door access in (cm)	Approximate ship weight lb (kg)
SG500S-30 ⁵	460 (209)	14.8 (0.41)	30.00 (76.2)	31.00 (78.7)	44.50 (113.0)	31.00 (78.7)	210 (95)
SG700S-30	680 (308)	21.7 (0.61)	30.00 (76.2)	31.00 (78.7)	60.00 (152.4)	31.00 (78.7)	212 (96)
SG1000-36 ⁶	990 (449)	31.0 (0.88)	36.00 (91.4)	31.00 (78.7)	69.50 (176.5)	32.00 (81.3)	257 (117)
SG860S-48 ⁵	860 (390)	25.5 (0.72)	48.00 (121.9)	31.00 (78.7)	46.50 (118.1)	32.00 (81.3)	255 (116)
SG1010S-48	1000 (454)	31.9 (0.90)	48.00 (121.9)	31.00 (78.7)	56.00 (142.4)	32.00 (81.3)	268 (122)
SG1175S-48	1185 (538)	37.6 (1.06)	48.00 (121.9)	31.00 (78.7)	62.00 (157.5)	32.00 (81.3)	298 (135)
SG1300S-48	1320 (599)	41.9 (1.19)	48.00 (121.9)	31.00 (78.7)	65.00 (165.1)	32.00 (81.3)	270 (123)
SG1160S-56	1170 (531)	37.3 (1.06)	56.00 (142.2)	31.00 (78.7)	56.00 (142.2)	32.00 (81.3)	296 (134)
SG1350S-56	1360 (617)	43.2 (1.22)	56.00 (142.2)	31.00 (78.7)	62.00 (157.5)	32.00 (81.3)	322 (147)
SG1080S-60 ⁵	1080 (490)	34.3 (0.97)	60.00 (152.4)	31.00 (78.7)	46.50 (118.1)	32.00 (81.3)	355 (161)
SG1325S-60	1325 (601)	42.0 (1.19)	60.00 (152.4)	31.00 (78.7)	56.00 (142.2)	32.00 (81.3)	320 (146)
SG1475S-60	1490 (676)	47.4 (1.34)	60.00 (152.4)	31.00 (78.7)	62.00 (157.5)	32.00 (81.3)	321 (146)
SG1650S-60	1660 (753)	52.8 (1.50)	60.00 (152.4)	31.00 (78.7)	65.00 (165.1)	32.00 (81.3)	340 (154)

Notes:

- Computed on cubic volume of bin. Does not reflect cart capacity or voids that can occur due to pyramiding.
- Add 8.00"(20.32 cm) to depth (D) for lower door assembly (easily removed for installation access).
- Required clearance for installation access through doors (may require removal of door assembly).
- Special top required for ice machines weighing more than 1000 lb (454 kg). Add 2.12" (5.38 cm) to height. Contact factory.
- SG500S-30, SG860SG-48 and SG1080SG-60 does not have upper inspection window.
- SG1000-36 standard with stainless steel top.
- Follett recommends installation of a floor drain with grate with all ice storage bins.