



## GLO-RAY® PORTABLE FOODWARMERS

Models GR-B, GRFF, GRFFL, GRFFB, GRFFBL

Hatco Glo-Ray® Portable Foodwarmers keep food hot at kitchen work areas, waitress pickup stations or customer serving points. Available in models and sizes to meet every food warming need.

### FLEXIBILITY

**GR-B** features a preset automatic thermostat to maintain proper base temperatures. Shipped with pan rail and 6' (1829 mm) cord and plug, ready to use.

**GRFF** has a specially designed stand that keeps food holding pans off the work area and allows easy access from three sides. The air space between pan bottom and counter top serves as an effective insulation to prolong serving life. Optional shatter resistant incandescent lights illuminate the warming area.

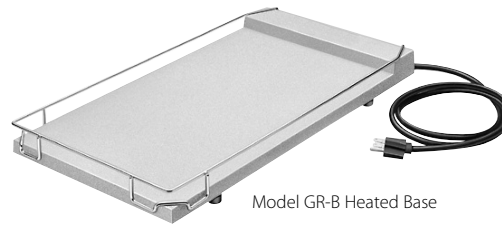
**GRFFB** has a preset base that conducts heat from the bottom while an infrared element heats from above. A swing-away top provides fast and easy access to food pans. The GRFFB is available with a clearance of 12", 14", or 16" (305, 356, or 406 mm) between heated base and upper housing. Includes pan rail and 6' (1829 mm) cord with plug. Optional shatter resistant incandescent lights illuminate the warming area.

Hatco can custom design portable foodwarmers to meet customer specifications or to fit an unusual situation. A wide selection of accessories including food pans, trivets, coated shatter-resistant incandescent lights, and controls make Glo-Ray foodwarmers ideal for any location.

### QUALITY

The following features assure the finest performance for years to come:

- Models available with heat above the food, below the food, or both.
- All models are factory pre-wired with a 6' (1829 mm) cord and plug.
- Optional incandescent lights available to enhance food appeal.



Model GR-B Heated Base



Model GRFFBL with optional infinite control and accessory half-size food pans and wire trivets



Model GRFFL with optional 9"W x 5.5"H (229 x 140 mm) display sign holder (sign not included), Designer color and accessory food pan

METAL SHEATHED HEATING ELEMENTS GUARANTEED AGAINST BURNOUT AND BREAKAGE FOR TWO YEARS.



HATCO CORPORATION P.O. Box 340500 Milwaukee, WI 53234-0500 U.S.A.  
 (800) 558-0607 • (414) 671-6350 • Fax (800) 543-7521 • Int'l. Fax (414) 671-3976  
[www.hatcocorp.com](http://www.hatcocorp.com) • E-mail: [equipsales@hatcocorp.com](mailto:equipsales@hatcocorp.com)

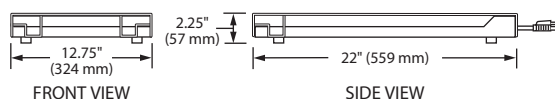
Form No. GRFF Spec Sheet

Printed in U.S.A.  
 April 2009

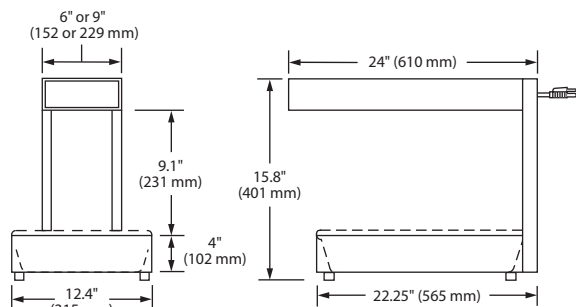


## GLO-RAY® PORTABLE FOODWARMERS

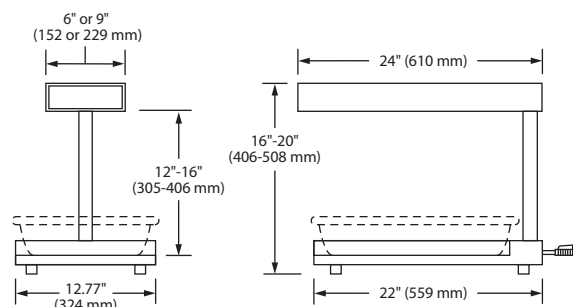
Models GR-B, GRFF, GRFFL, GRFFB, GRFFBL



Model GR-B



Model GRFF



Model GRFFB

### SPECIFICATIONS

#### Metal Sheathed Elements

Model*	Watts	Amps	Shipping Weight
GR-B	250	2.1	16 lbs. ( 7 kg)
GRFF	500	4.2	16 lbs. ( 7 kg)
GRFFL	620	5.2	18 lbs. ( 8 kg)
GRFFB <sup>§</sup>	750	6.3	26 lbs. (12 kg)
GRFFBL <sup>§</sup>	870	7.3	31 lbs. (14 kg)

\* "L" in model name indicates unit with light (add 3" (76 mm) to width of upper housing.

"B" in model name indicates base heat.

§ Standard clearance is 14" (356 mm). Specify 12" or 16" (305 or 406 mm) if required.

### DIMENSIONS

GR-B: 12.75"W x 22"D x 2.25"H (324 x 559 x 57 mm).

GRFF: 12.4"W x 24"D x 15.8"H (315 x 610 x 401 mm).

GRFFB: 12.75"W x 24"D x 16"-20"H (324 x 610 x 406-508 mm).

### VOLTAGE

120 volts, single phase (uses NEMA 5-15P).

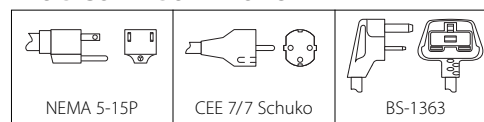
Export voltages available.

### CORD LOCATION

GR-B, GRFFB, GRFFBL: Back, lower middle.

GRFF, GRFFL: Back, upper middle.

### PLUG CONFIGURATIONS



### OPTIONS (NOT FOR RETROFIT)

- Designer Colors: (One color per unit, heated base is not powdercoated) Warm Red, Black, Gray Granite, White Granite, Navy Blue, Hunter Green, Antique Copper
- Gloss Finishes: (One color per unit, heated base is not powdercoated) Gleaming Gold, Glossy Gray, Bold Black, Radiant Red, Brilliant Blue
- 9"W x 5½"H (229 x 140 mm) Display Sign Holder (Sign not included) (GRFFL model only) adds 3" (76 mm) to height of unit
- Infinite Control\*
- Halogen Bulb in lieu of Standard Display Light

\* Not available on model GR-B or units with sign holder.

### ACCESSORIES

- 5 Pleat Hardcoated French Fry Box Ribbon
- 8 Pleat Hardcoated French Fry Bag Ribbon
- Food Holding Pans
- Wire Trivets

### PRODUCT SPECS

#### Portable Foodwarmer

The Portable Foodwarmer shall be a Glo-Ray®, manufactured by the Hatco Corporation, Milwaukee, WI 53234 U.S.A.

With 24/7 parts and service assistance (U.S. and Canada only), the Foodwarmer shall be a Glo-Ray Model ... , rated at ... watts, ... volts, single phase and be ... inches (millimeters) in overall width.

The Glo-Ray shall consist of aluminum housing and include an infrared heating element that shall be tubular metal sheathed. Optional shatter resistant incandescent display lights. Accessories shall include food holding pans, trivets, and ribbons.