



STAINLESS STEEL

# REGALINE SINKS

## Three Compartments - Two Drainboards



**93 & 9 SERIES**  
Adjustable Side  
Cross-Bracing



**94 SERIES**  
Adjustable Side &  
Front Cross-Bracing

**YES! It's SeaLess!**



Item #: \_\_\_\_\_ Qty #: \_\_\_\_\_

Model #: \_\_\_\_\_

Project #: \_\_\_\_\_



93 & 9 Series Adjustable  
Side Cross-Bracing



94 Series Adjustable  
Side & Front Cross-Bracing



Recessed Bowl Surface  
Accommodates Poly-Vance  
Cutting Boards & Sink Covers

**FEATURES:**

Tile edge for ease of installation.

One piece **Deep Drawn** sink bowls with integral drainboards with splash.

All sink bowls have a large liberal 3" radius.

"94" Series is supplied with adjustable front and side cross braces featuring leg clamps.

"93" & "9" Series is supplied with adjustable side cross braces featuring leg clamps.

**CONSTRUCTION:**

All TIG welded.

Welded areas blended to match adjacent surfaces and to a satin finish.

**MATERIALS:**

**Spec-Line (94 Series):** 14 gauge type 304 stainless steel  
11" High Splash.

**Standard (93 Series):** 16 gauge type 304 stainless steel  
8" High Splash.

**Super Saver (9 Series):** 18 gauge type 304 stainless steel  
8" High Splash.

- LEGS:**
- 1 5/8" diameter tubular stainless steel.
  - Stainless steel gussets.
  - Stainless Steel 1" adjustable bullet feet.

Bowl Size	O.A. Length	DRBD. Size	SPEC-LINE 94 Series		STANDARD 93 Series		SUPER SAVER 9 Series		Cu. Ft.
			Model #	WT.	Model #	WT.	Model #	WT.	
<b>16" x 20"</b>	91"	18"	<b>14 Ga. 304 S/S</b> 14" Water Level		<b>16 Ga. 304 S/S</b> 12" Water Level		<b>18 Ga. 304 S/S</b> 12" Water Level		
	103"	24"	94-3-54-18RL	230 lbs.	93-3-54-18RL	189 lbs.	9-3-54-18RL	182 lbs.	49
	127"	36"*	94-3-54-24RL	248 lbs.	93-3-54-24RL	197 lbs.	9-3-54-24RL	190 lbs.	55
<b>20" x 20"</b>	103"	18"	94-3-54-36RL	275 lbs.	93-3-54-36RL	239 lbs.	9-3-54-36RL	208 lbs.	96
	115"	24"	94-23-60-18RL	248 lbs.	93-23-60-18RL	203 lbs.	9-23-60-18RL	198 lbs.	59
	139"	36"*	94-23-60-24RL	276 lbs.	93-23-60-24RL	220 lbs.	9-23-60-24RL	195 lbs.	65
<b>18" x 24"</b>	109"	24"	94-23-60-36RL	408 lbs.	93-23-60-36RL	387 lbs.	9-23-60-36RL	364 lbs.	89
	97"	18"	N/A		93-63-54-18RL	289 lbs.	9-63-54-18RL	226 lbs.	62
	109"	24"	N/A		93-63-54-24RL	304 lbs.	9-63-54-24RL	233 lbs.	85
<b>24" x 24"</b>	133"	36"*	N/A		93-63-54-36RL	367 lbs.	9-63-54-36RL	325 lbs.	96
	127"	24"	94-43-72-24RL	390 lbs.	93-43-72-24RL	331 lbs.	9-43-72-24RL	318 lbs.	98
	151"	36"*	94-43-72-36RL	448 lbs.	93-43-72-36RL	393 lbs.	9-43-72-36RL	345 lbs.	110
<b>20" x 28"</b>	103"	18"	94-83-60-18RL	358 lbs.	93-83-60-18RL	315 lbs.	9-83-60-18RL	277 lbs.	83
	115"	24"	94-83-60-24RL	394 lbs.	93-83-60-24RL	346 lbs.	9-83-60-24RL	305 lbs.	95
	139"	36"*	94-83-60-36RL	451 lbs.	93-83-60-36RL	398 lbs.	9-83-60-36RL	350 lbs.	109
* Regalines with 36" Drainboards are Supplied with Two Additional Legs (per drainboard) for Support.			14" Water Level	18" Flood Level	12" Water Level	16" Flood Level	12" Water Level	16" Flood Level	

\* Requires Two Faucets

*Weights & Cubes Are Approximate*



**Customer Service Available To Assist You 1-800-645-3166 8:30 am - 7:00 pm E.S.T.**

For Orders & Customer Service:

Email: customer@advancetabco.com or Fax: 631-242-6900

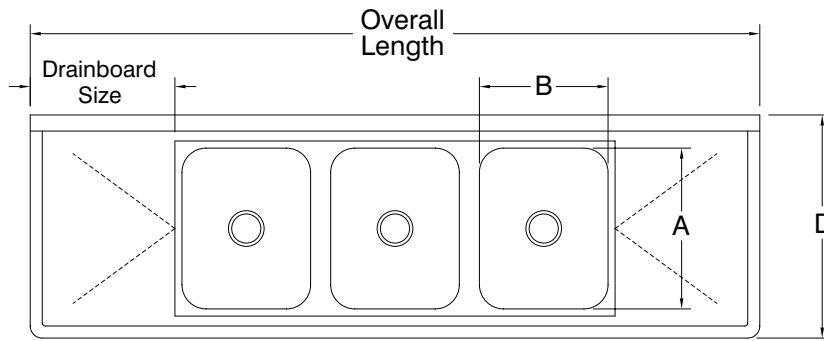
For Smart Fabrication™ Quotes:

Email: smartfab@advancetabco.com or Fax: 631-586-2933

# DIMENSIONS and SPECIFICATIONS

TOL Overall: ± .500"  
Interior: ± .250"

ALL DIMENSIONS ARE TYPICAL



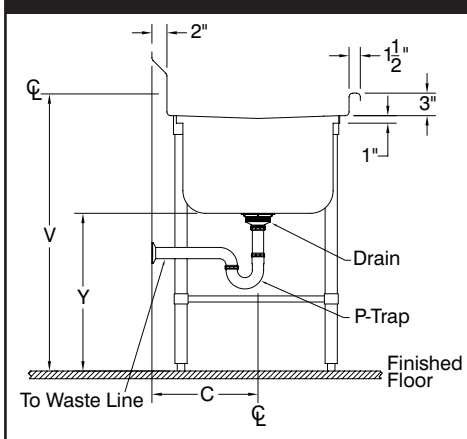
## DESCRIPTION

DESCRIPTION								94 SERIES					9 & 93 SERIES				
BOWL SIZE	Overall Length	DRBD SIZE	Recommended Use	A	B	C	D	V	W	X	Y	Z	V	W	X	Y	Z
16"x20"	91" 103" 127"	18" 24" *36"	DISH SINKS	20"	16"	14 1/8"	28"	38"	11"	14"	19"	45"	38"	8"	12"	21"	42"
20"x20"	103" 115" 139"	18" 24" *36"	DISH & POT SINKS	20"	20"	14 1/8"	28"	38"	11"	14"	19"	45"	38"	8"	12"	21"	42"
18"x24"	97" 109" 133"	18" 24" *36"	POT & PAN SINKS	24"	18"	16 1/8"	32"	38"	11"	14"	19"	45"	38"	8"	12"	21"	42"
24"x24"	†127" †151"	24" *36"	POT SINKS	24"	24"	16 1/8"	32"	38"	11"	14"	19"	45"	38"	8"	12"	21"	42"
20"x28"	103" 115" 139"	18" 24" *36"	PAN SINKS	28"	20"	18 1/8"	36"	38"	11"	14"	19"	45"	38"	8"	12"	21"	42"

† Requires Two Faucets

\* Regalines with 36" Drainboards are Supplied with Two Additional Legs (per drainboard) for Support.

## PLUMBING ROUGH-IN



## MECHANICAL:

- Supply is 1/2" IPS hot & cold.
- Faucet holes on 8" centers.
- Faucets are not included (see accessories).
- Waste drains are 1 1/2" IPS S/S basket type, located in center of sink bowl, and are included.



## SECTION

