

APPLICATION:

PRODUCT NAME:
8" C/C DECK FAUCET

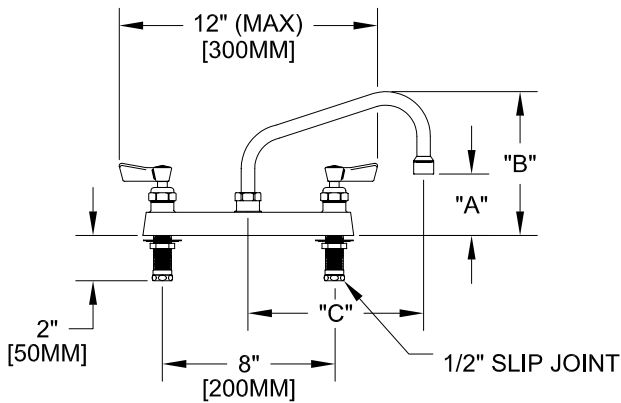
JOB NAME:

SPECIAL CONFIGURATION
 CHECK BASE MODEL AND OPTIONS

QUANTITY:

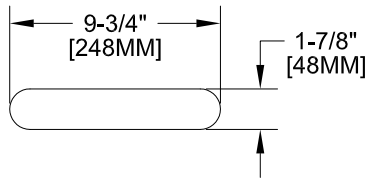
ITEM NO.

MODEL:
 3310 WITH 6" SWING SPOUT
 3311 WITH 8" SWING SPOUT
 3312 WITH 10" SWING SPOUT
 3313 WITH 12" SWING SPOUT
 3314 WITH 14" SWING SPOUT
 1627 WITH 16" SWING SPOUT



OPTIONS OR MODIFICATIONS:
 SUPPLY LINES (24" OR 36") CIRCLE LENGTH
 DJ SUB-ASSY (7-1/4" OR 13") CIRCLE LENGTH
 HANDLES (CROSS OR WRIST) CIRCLE STYLE
 VANDAL RESISTANT KIT
 OTHER _____

FOOTPRINT:



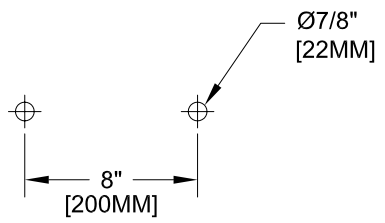
FEATURES
 * 8" C/C DECK MOUNT
 * SWIVELLING SEAT DISKS
 * HOT SIDE STEM - RIGHT HAND
 * COLD SIDE STEM - LEFT HAND
 * STAINLESS STEEL SEATS
 * STAINLESS STEEL SEAT SCREWS
 * STAINLESS STEEL HANDLE SCREWS
 * 1/2" SLIP JOINT

MODEL	DIM "A"	DIM "B"	DIM "C"
3310	2-3/8" [60MM]	6" [150MM]	6" [150MM]
3311	2-5/8" [66MM]	6-1/2" [165MM]	8" [200MM]
3312	3-1/4" [83MM]	7" [177MM]	10" [250MM]
3313	3-3/4" [98MM]	7-1/2" [188MM]	12" [300MM]
3314	4-5/8" [115MM]	8-3/8" [212MM]	14" [350MM]
1627	5-1/8" [131MM]	9" [228MM]	16" [400MM]

SYSTEM LIMITS
 * TEMP: 40°F MIN. TO 140°F MAX.
 * PRESSURE: 200 PSI MAX. STATIC
 * 2.20 GPM AT 80 PSI

SHIPPING WEIGHT
 * 5.5 LBS

ROUGH-IN:



FISHER MANUFACTURING COMPANY
 TOLL FREE: 800-421-6162 - FAX: 800-832-8238
 information@fisher-mfg.com - www.fisher-mfg.com

ANSI/A112.18.1M