

APPLICATION:

PRODUCT NAME:

DrainKing WASTE VALVE

JOB NAME:

\_\_\_\_\_ SPECIAL CONFIGURATION  
(CHECK BASE MODEL AND OPTIONS)

QUANTITY:

ITEM NO.:

MODEL:

22209 WITH FLAT STRAINER

OPTIONS OR MODIFICATIONS:

OTHER \_\_\_\_\_

FEATURES:

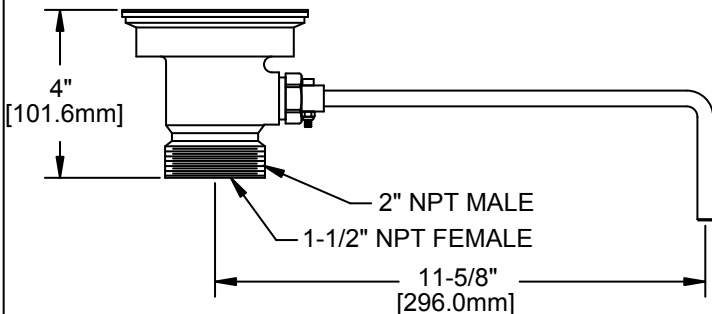
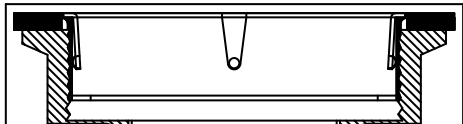
- \* DUAL TEFLON SEALS
- \* STAINLESS STEEL BALL
- \* CAST RED BRASS BODY
- \* EXTRA STURDY STAINLESS STEEL CLAMPING RING
- \* "CLEAR THROUGH" OPENING - NO NEED TO DISASSEMBLE IF SNAKING IS REQUIRED
- \* INDUSTRY STANDARD "SEALING" ANGLE - FITS FLUSH TO STANDARD STAINLESS STEEL SINKS
- \* STAINLESS STEEL FLAT STRAINER
- \* 1/4 TURN FULLY OPENS AND CLOSES VALVE

DRAIN RATE:

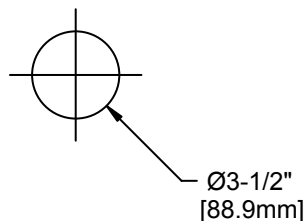
- \* 12 GPM

SHIPPING WEIGHT

- \* 5.0 LBS



ROUGH-IN:



ANSI/A112.18.1M



FISHER MANUFACTURING COMPANY  
 TOLL FREE: 800-421-6162 - FAX: 800-832-8238  
 information@fisher-mfg.com - www.fisher-mfg.com